

D

C

B

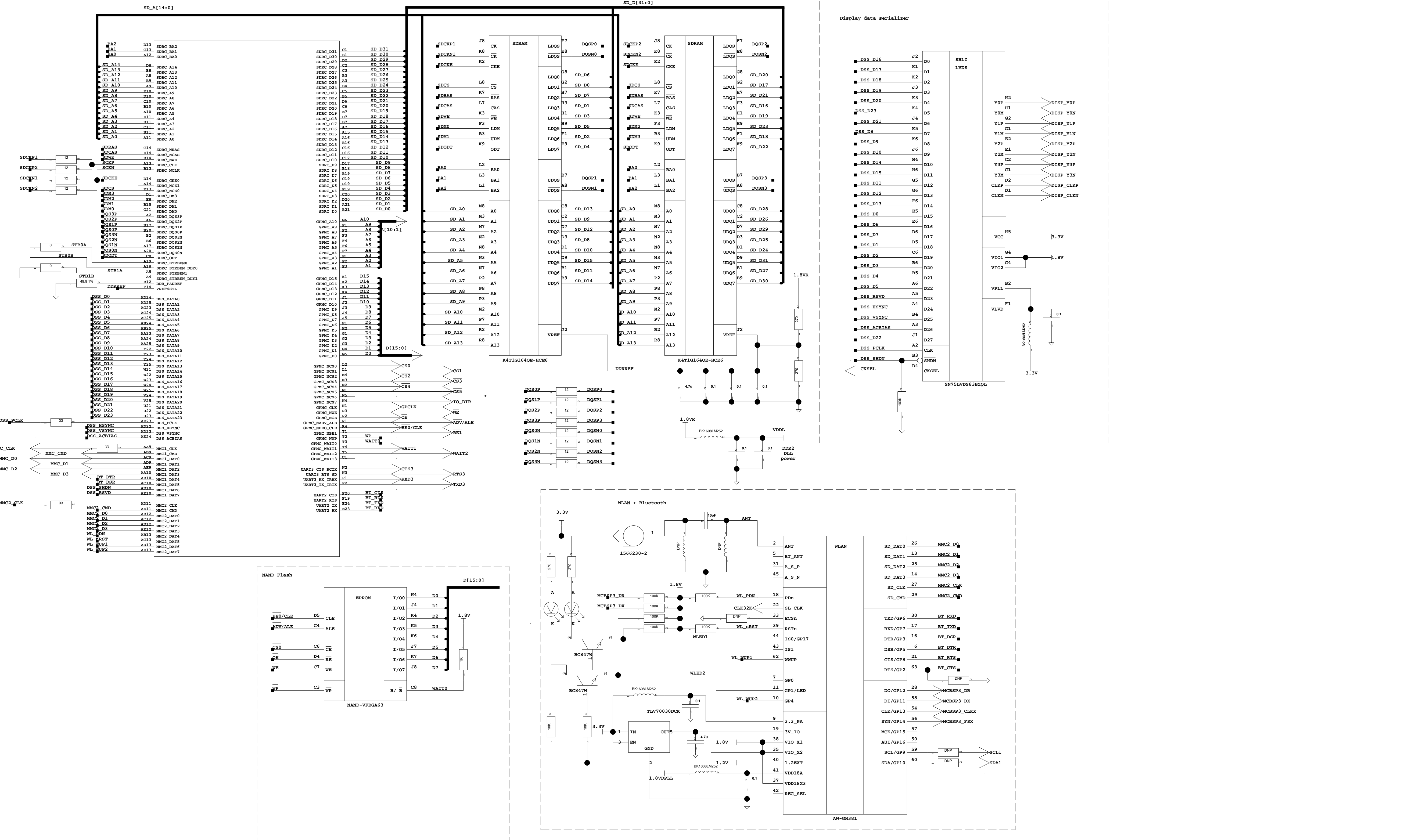
A

D

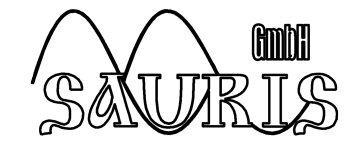
C

B

A

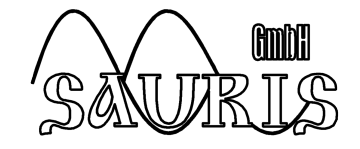
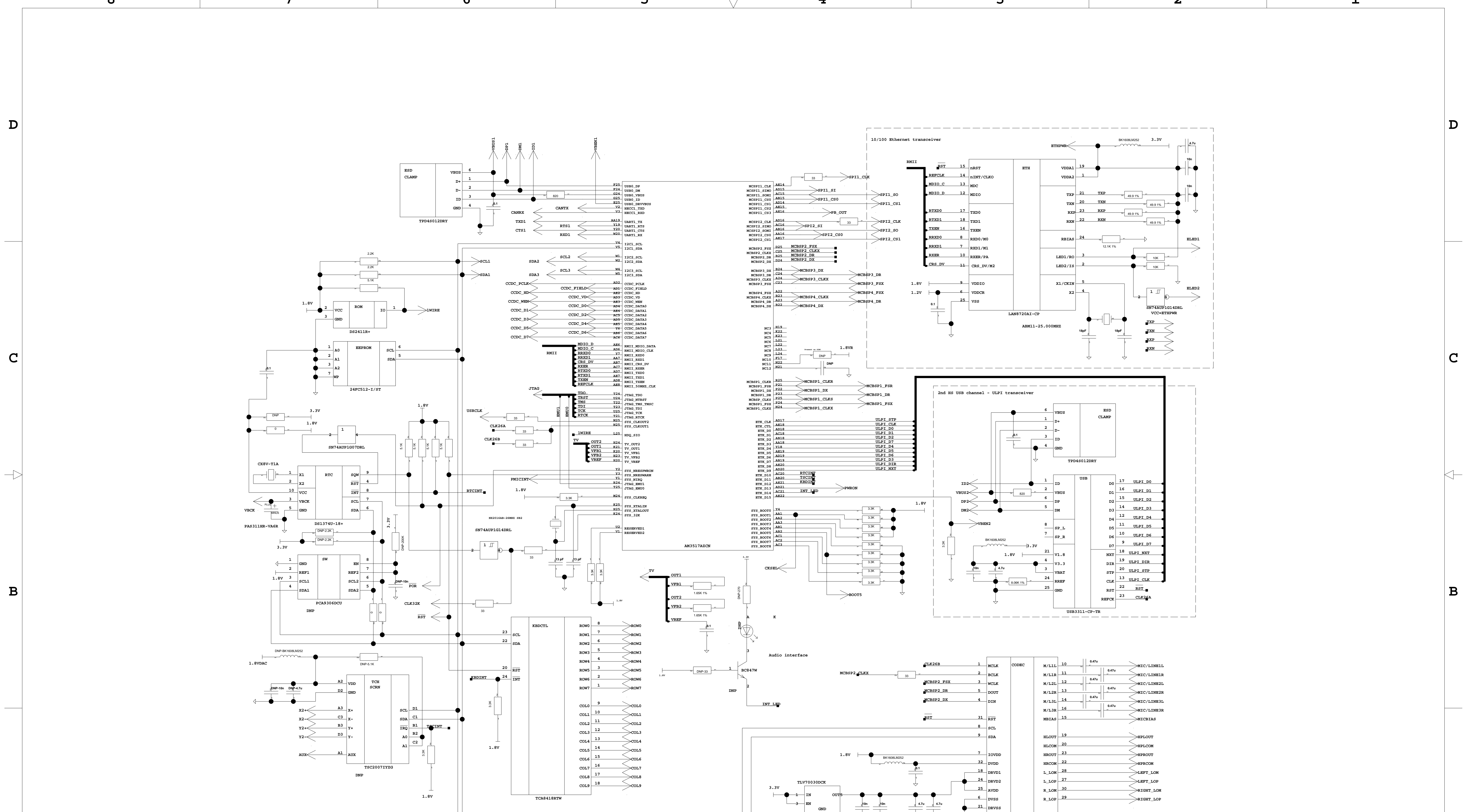


NOTE: Program GPMC to GPMC\_IO\_DIR function of this pin



AM3517/05 SAU-Module

FILE	REV
D	1.0



AM3517/05 SAU-Module

TITLE	AM3517/05 SAU-Module		
SIZE	DWG NO	REV	
D		1.0	
DESIGNED BY	DATE	SHEET	OF
<YOUR NAME HERE>		2	5

D

C

B

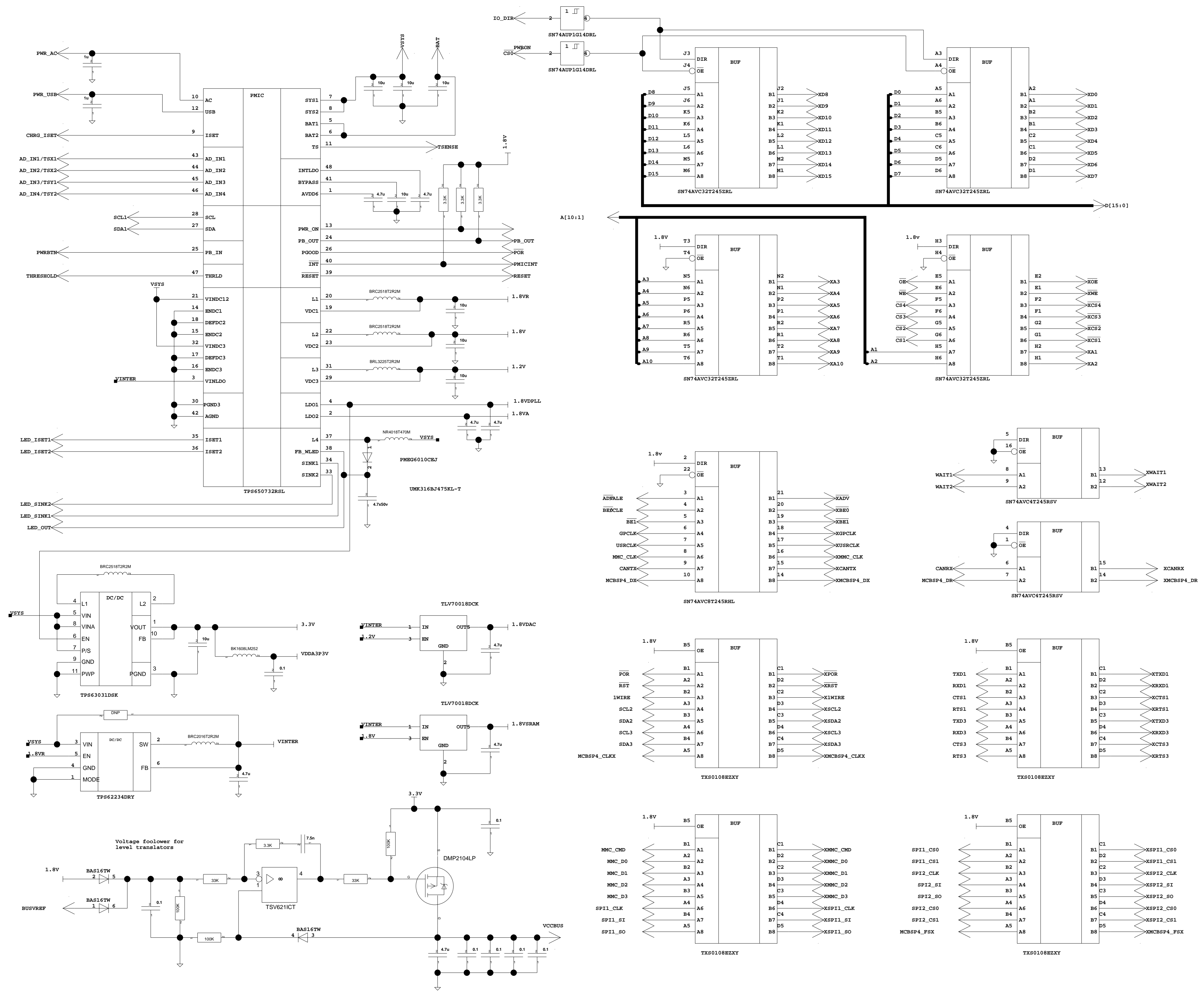
A

D

C

B

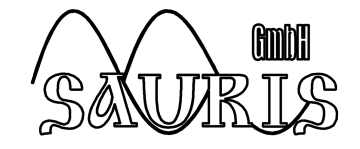
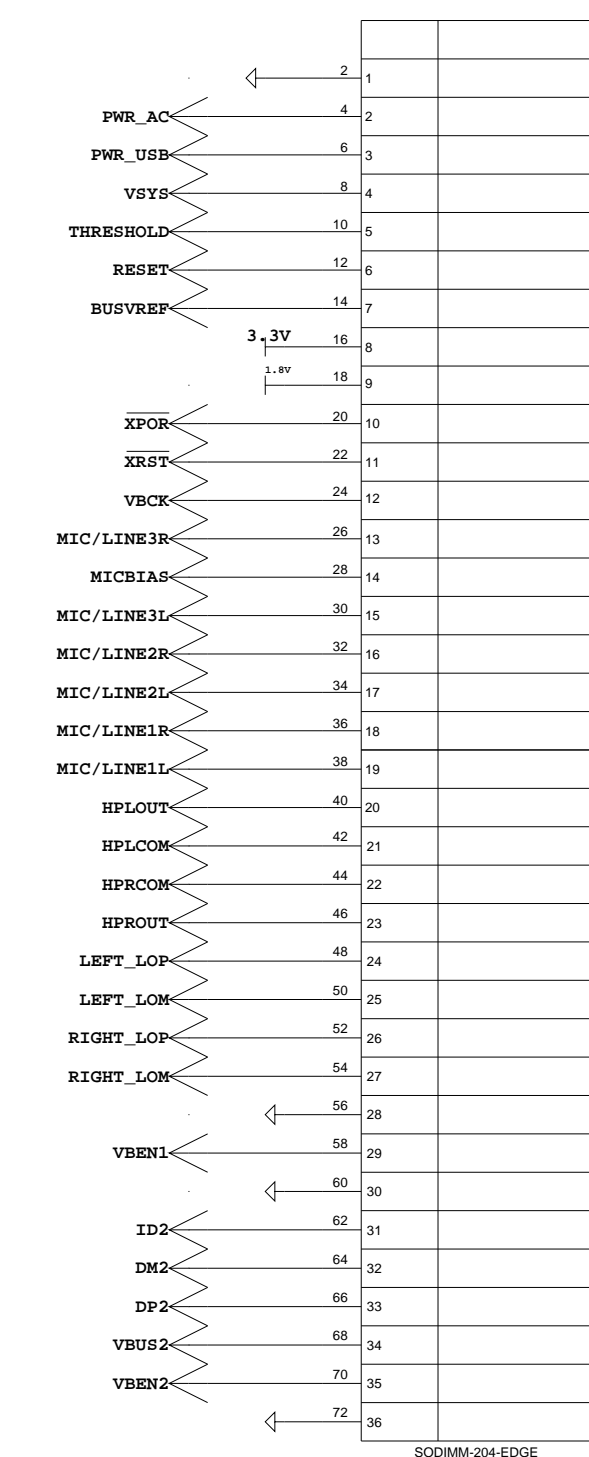
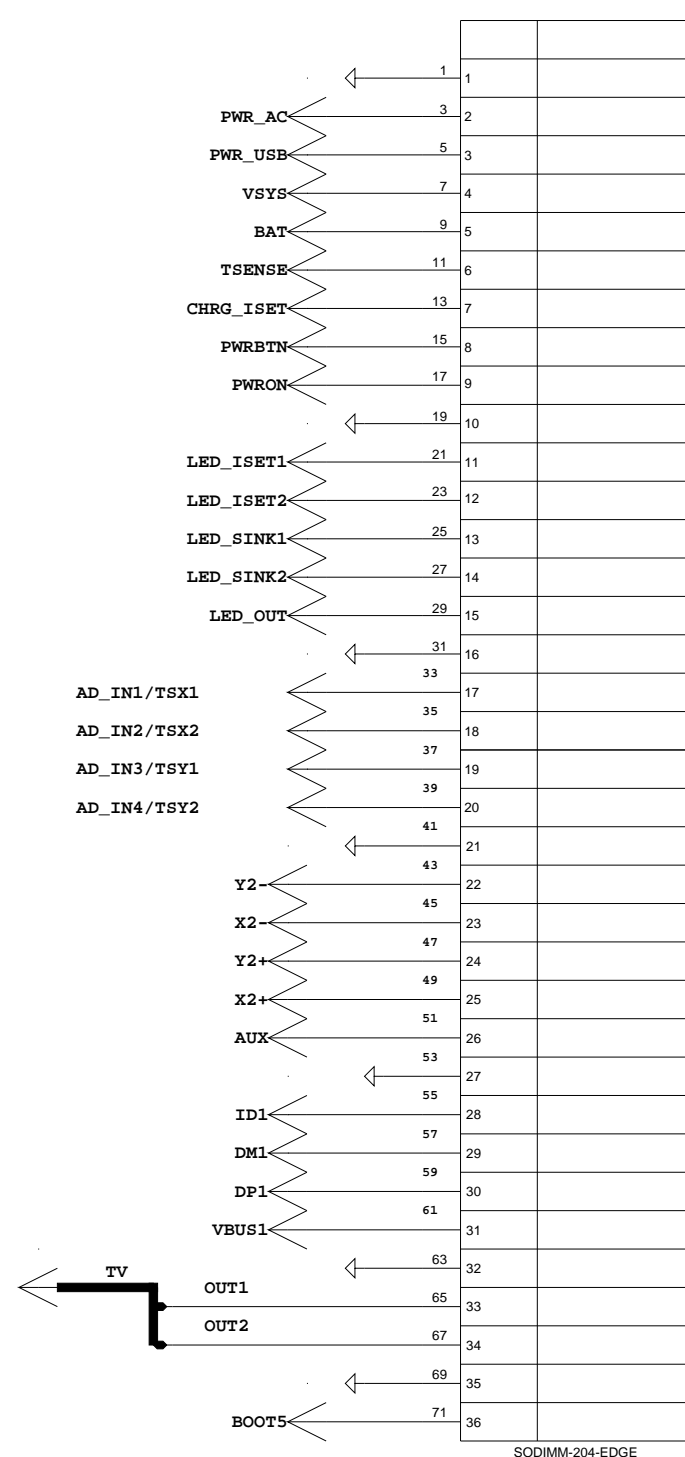
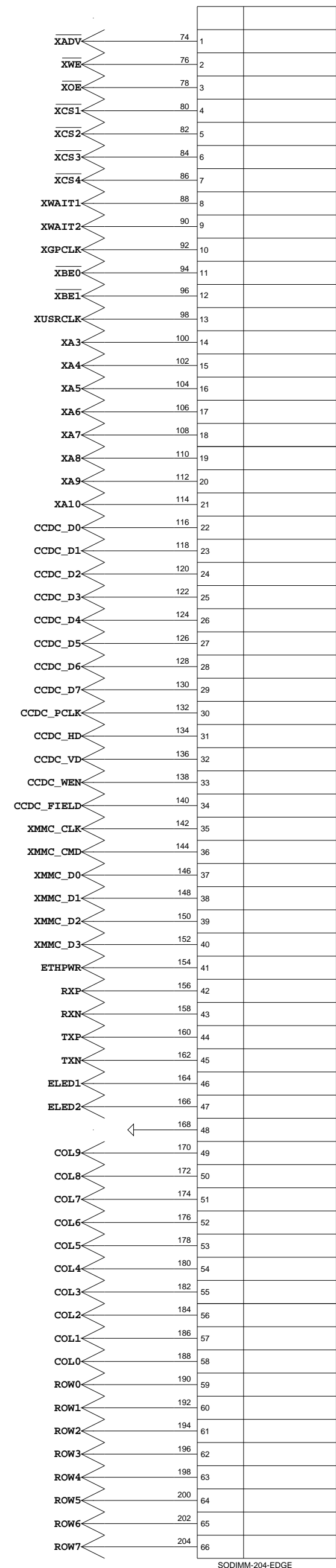
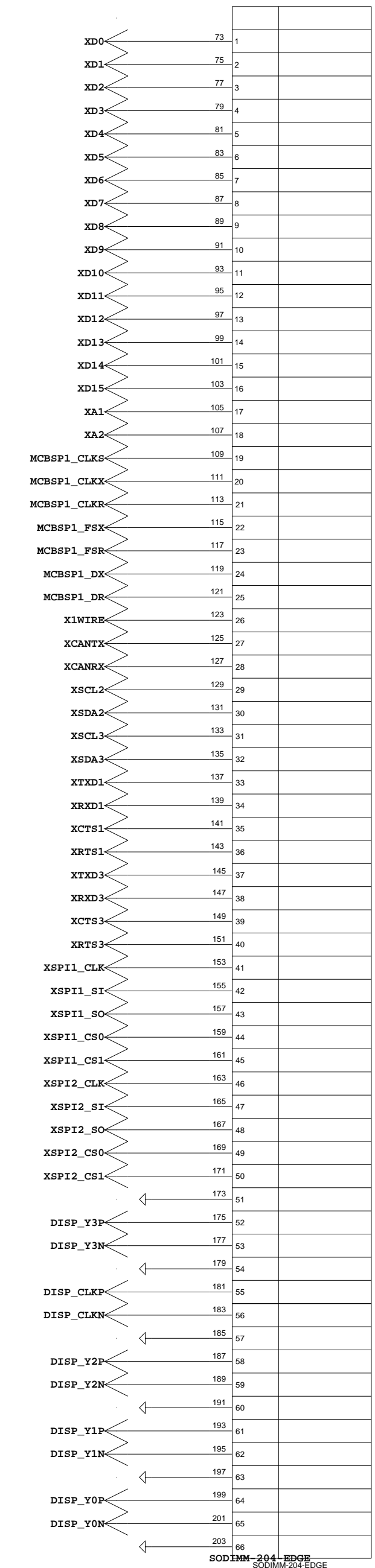
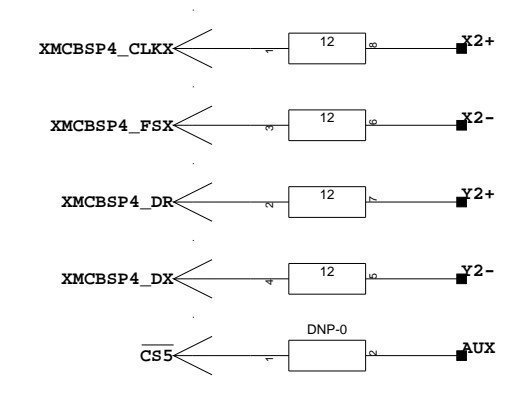
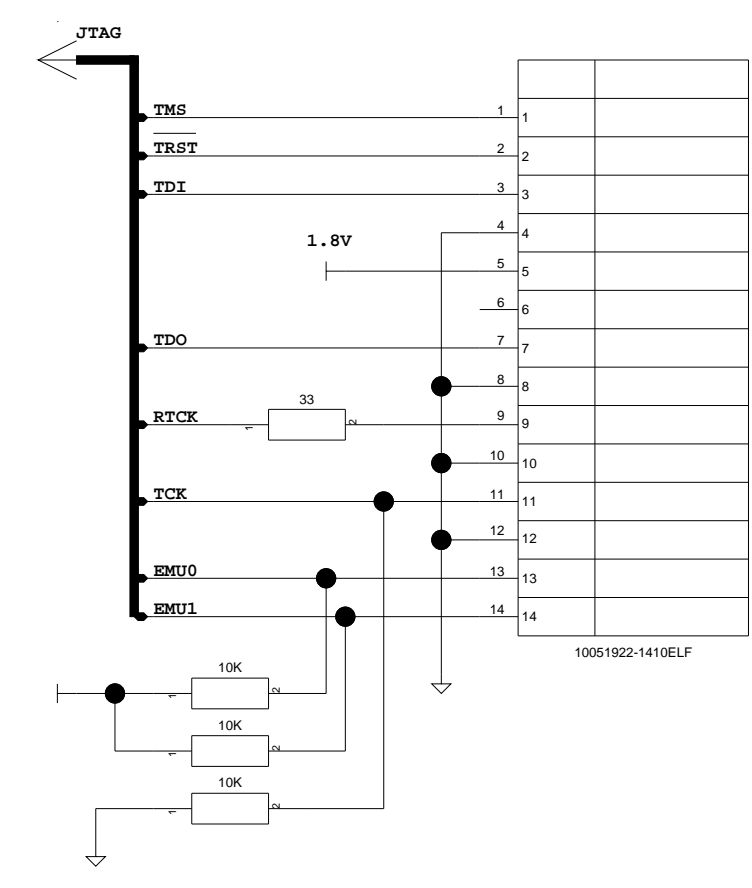
A



**SAURIS**

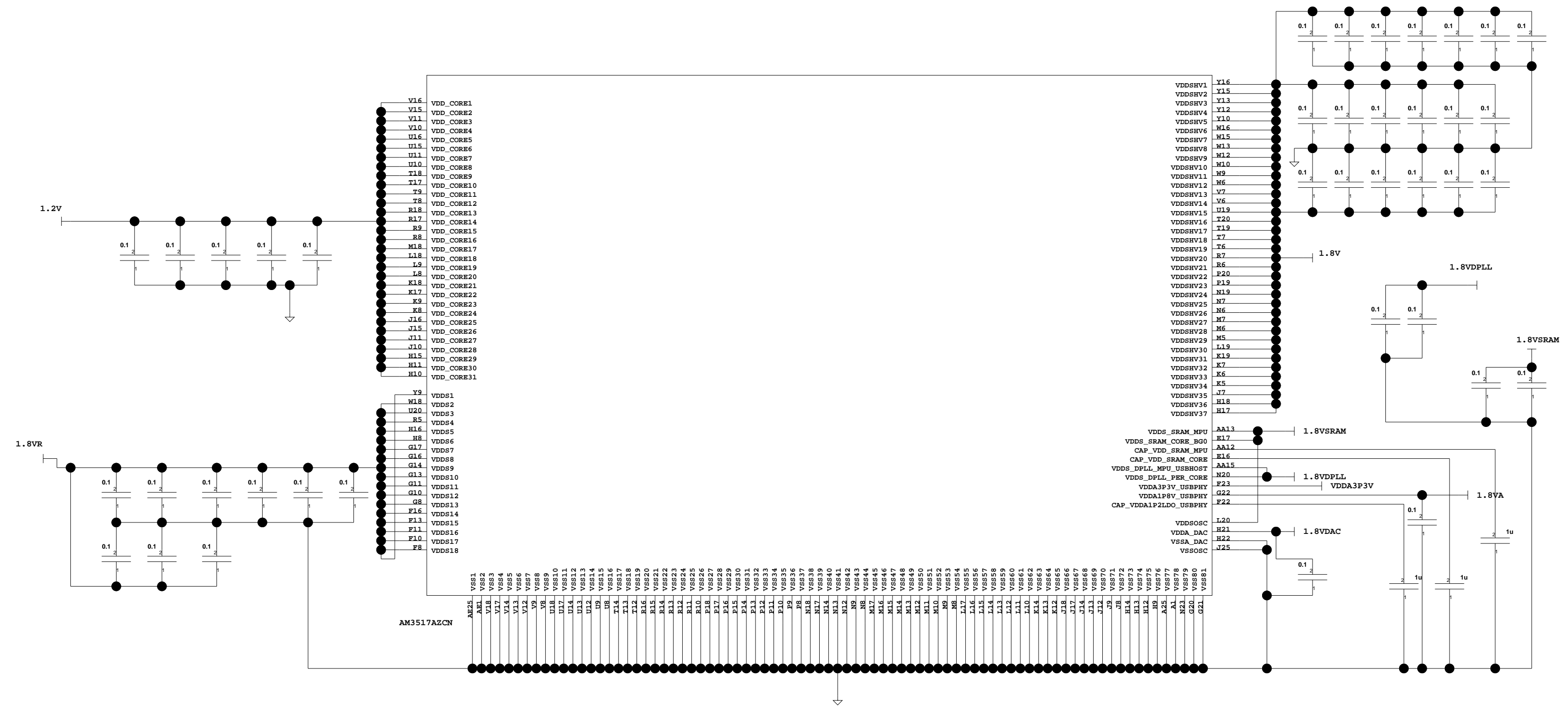
AM3517/05 SAU-Module

TITLE	REV
AM3517/05 SAU-Module	1.0
DATE	ENG NO
D	
SCALE	SHEET 3 OF 5
DRAWN BY	03-06-2011 17:17



AM3517/05 SAU-Module

TITLE			
D		REV 1.0	
DATE	DWG NO	REV	
DRAWN BY		CHECKED BY	
<YOUR NAME HERE>		4	
		5	



AM3517/05 SAU-Module

TITLE				REV
				1.0
SIZE	DWG NO	SHEET	of	
C		5	5	
SCALE	DRAWN BY		03-06-2011_17:25	
	<YOUR NAME HERE>			