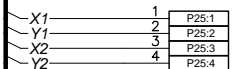


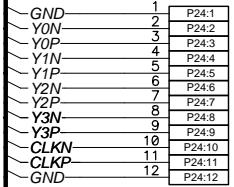
P25 - DISP TOUCH



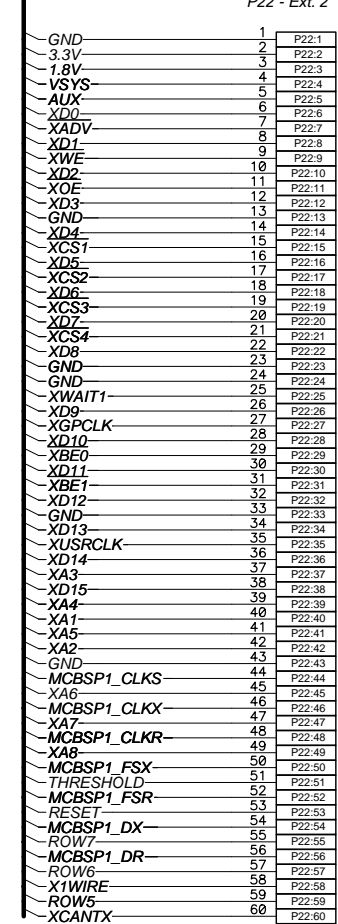
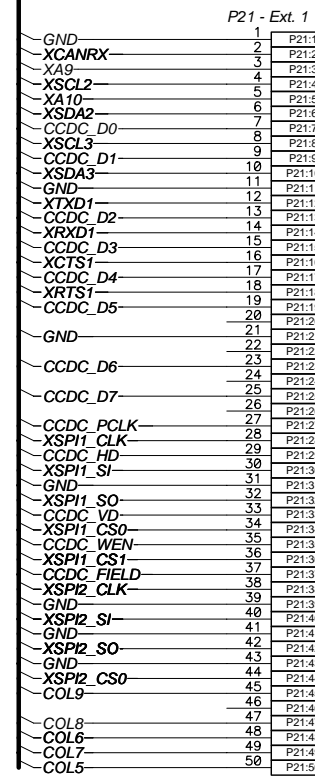
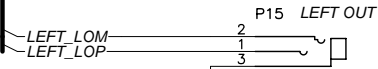
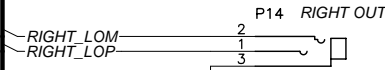
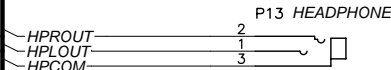
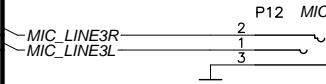
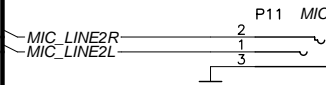
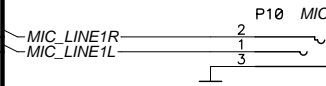
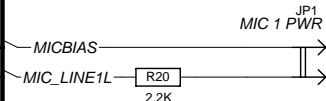
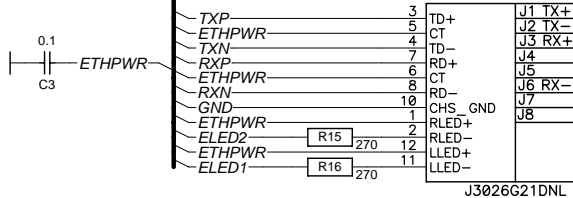
P16 - DISP LIGHT



P24 - DISP LVDS



P5 - LAN



A

B

C

D

**P3 - AM3517 SODIMM**

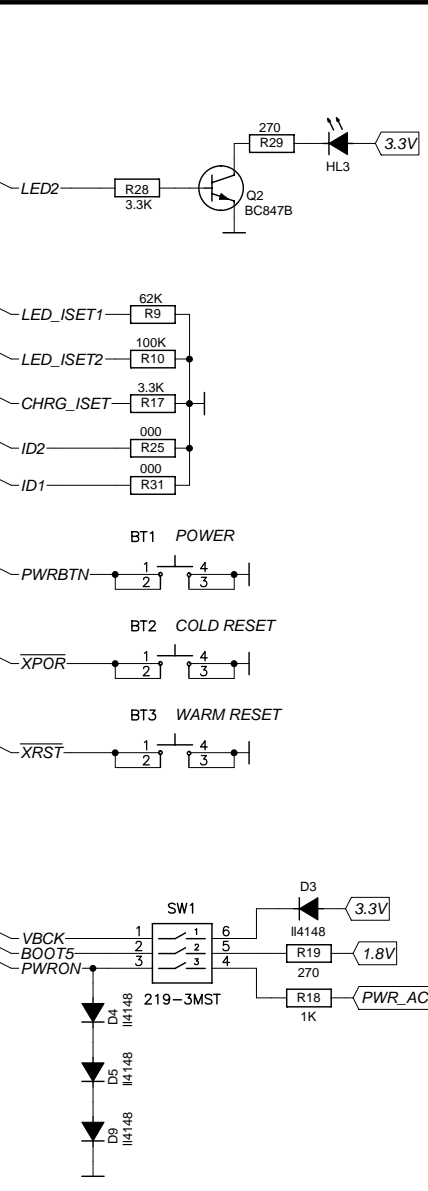
P3:1	1	GND
P3:2	2	
P3:3	3	PWR_AC
P3:4	4	
P3:5	5	PWR_USB
P3:6	6	
P3:7	7	VSYS
P3:8	8	
P3:9	9	BAT
P3:10	10	THRESHOLD
P3:11	11	TSENCE
P3:12	12	RESET
P3:13	13	CHRG_ISET
P3:14	14	3.3V
P3:15	15	PWRBTN
P3:16	16	3.3V
P3:17	17	PWRON
P3:18	18	1.8V
P3:19	19	GND
P3:20	20	XPOR
P3:21	21	LED_ISET1
P3:22	22	XRST
P3:23	23	LED_ISET2
P3:24	24	VBCK
P3:25	25	LED_ISINK1
P3:26	26	MIC_LINE3R
P3:27	27	LED_ISINK2
P3:28	28	MICBIAS
P3:29	29	LED_OUT
P3:30	30	MIC_LINE3L
P3:31	31	GND
P3:32	32	MIC_LINE2R
P3:33	33	X1
P3:34	34	MIC_LINE2L
P3:35	35	X2
P3:36	36	MIC_LINE1R
P3:37	37	Y1
P3:38	38	MIC_LINE1L
P3:39	39	Y2
P3:40	40	HPLOUT
P3:41	41	GND
P3:42	42	HPCOM
P3:43	43	DISP
P3:44	44	HPCOM
P3:45	45	FAULT2
P3:46	46	HPROUT
P3:47	47	WP_SW
P3:48	48	LEFT_LOP
P3:49	49	LED2
P3:50	50	LEFT_LOM
P3:51	51	AUX
P3:52	52	RIGHT_LOP
P3:53	53	GND
P3:54	54	RIGHT_LOM
P3:55	55	ID1
P3:56	56	GND
P3:57	57	DM1
P3:58	58	VBEN1
P3:59	59	DP1
P3:60	60	GND
P3:61	61	VBUS1
P3:62	62	ID2
P3:63	63	GND
P3:64	64	DM2
P3:65	65	TVOUT1
P3:66	66	DP2
P3:67	67	TVOUT2
P3:68	68	VBUS2
P3:69	69	GND
P3:70	70	VBEN2
P3:71	71	BOOT5
P3:72	72	GND

**P9 - Ext. battery**

P9:1	1	GND
P9:2	2	TSENCE
P9:3	3	BAT

**P20 - CR2032 battery**

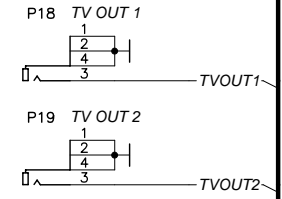
P20:1	1	GND
P20:2	2	VBCK



**P3 - AM3517 SODIMM**

P3:73	73	XD0
P3:74	74	XADV
P3:75	75	XD1
P3:76	76	XWE
P3:77	77	XD2
P3:78	78	XOE
P3:79	79	XD3
P3:80	80	XCS1
P3:81	81	XD4
P3:82	82	XCS2
P3:83	83	XD5
P3:84	84	XCS3
P3:85	85	XD6
P3:86	86	XCS4
P3:87	87	XD7
P3:88	88	XWAIT1
P3:89	89	XD8
P3:90	90	CD_SW
P3:91	91	XD9
P3:92	92	XGPCLK
P3:93	93	XD10
P3:94	94	XBEO
P3:95	95	XD11
P3:96	96	XBEO
P3:97	97	XD12
P3:98	98	XUSRCLK
P3:99	99	XD13
P3:100	100	XA3
P3:101	101	XD14
P3:102	102	XA4
P3:103	103	XD15
P3:104	104	XA5
P3:105	105	XA1
P3:106	106	XA6
P3:107	107	XA2
P3:108	108	XA7
P3:109	109	MCBSP1_CLKS
P3:110	110	XA8
P3:111	111	MCBSP1_CLKX
P3:112	112	XA9
P3:113	113	MCBSP1_CLKR
P3:114	114	XA10
P3:115	115	MCBSP1_FSX
P3:116	116	CCDC_D0
P3:117	117	MCBSP1_FSR
P3:118	118	CCDC_D1
P3:119	119	MCBSP1_DX
P3:120	120	CCDC_D2
P3:121	121	MCBSP1_DR
P3:122	122	CCDC_D3
P3:123	123	X1WIRE
P3:124	124	CCDC_D4
P3:125	125	XCANTX
P3:126	126	CCDC_D5
P3:127	127	XCANRX
P3:128	128	CCDC_D6
P3:129	129	XSCL2
P3:130	130	CCDC_D7
P3:131	131	XSDA2
P3:132	132	CCDC_FCLK
P3:133	133	XSCL3
P3:134	134	CCDC_HD
P3:135	135	XSDA3
P3:136	136	CCDC_VD
P3:137	137	XTXD1
P3:138	138	CCDC_WEN
P3:139	139	XRXD1
P3:140	140	CCDC_FIELD
P3:141	141	XCTS1
P3:142	142	XMMC_CLK
P3:143	143	XRST1
P3:144	144	XMMC_CMD

P3:145	145	XTXD3
P3:146	146	XMMC_D0
P3:147	147	XRXD3
P3:148	148	XMMC_D1
P3:149	149	XMCTS3
P3:150	150	XMMC_D2
P3:151	151	XRST3
P3:152	152	XMMC_D3
P3:153	153	XSPI1_CLK
P3:154	154	ETHPWR
P3:155	155	XSPI1_SI
P3:156	156	RXP
P3:157	157	XSPI1_SO
P3:158	158	RXN
P3:159	159	XSPI1_CS0
P3:160	160	TXP
P3:161	161	XSPI1_CS1
P3:162	162	TXN
P3:163	163	XSPI2_CLK
P3:164	164	ELED1
P3:165	165	XSPI2_SI
P3:166	166	ELED2
P3:167	167	XSPI2_SO
P3:168	168	GND
P3:169	169	XSPI2_CS0
P3:170	170	COL9
P3:171	171	FAULT1
P3:172	172	COL8
P3:173	173	GND
P3:174	174	COL7
P3:175	175	Y3P
P3:176	176	COL6
P3:177	177	Y3N
P3:178	178	COL5
P3:179	179	GND
P3:180	180	COL4
P3:181	181	CLKP
P3:182	182	COL3
P3:183	183	CLKN
P3:184	184	COL2
P3:185	185	GND
P3:186	186	COL1
P3:187	187	Y2P
P3:188	188	COL0
P3:189	189	Y2N
P3:190	190	ROW0
P3:191	191	GND
P3:192	192	ROW1
P3:193	193	Y1P
P3:194	194	ROW2
P3:195	195	Y1N
P3:196	196	ROW3
P3:197	197	GND
P3:198	198	ROW4
P3:199	199	Y0P
P3:200	200	ROW5
P3:201	201	Y0N
P3:202	202	ROW6
P3:203	203	GND
P3:204	204	ROW7



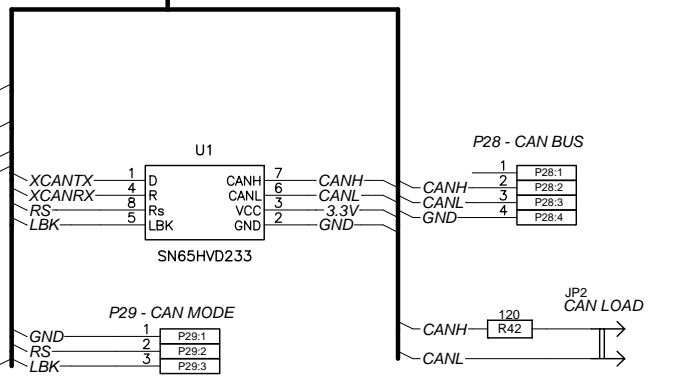
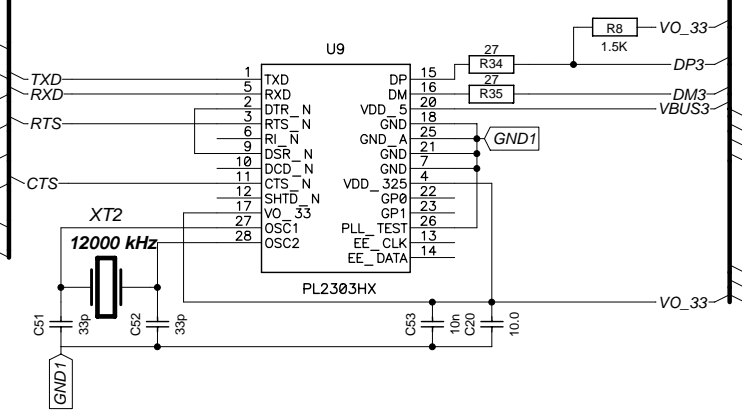
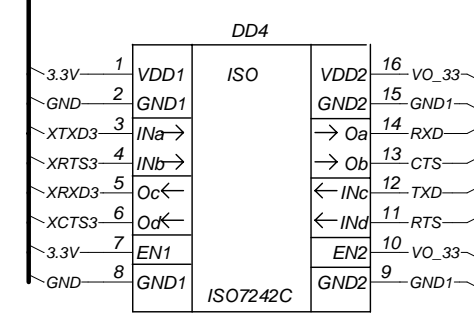
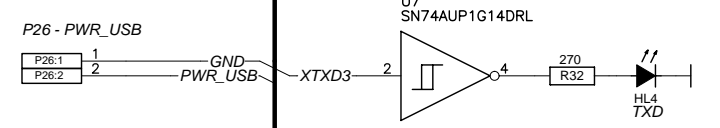
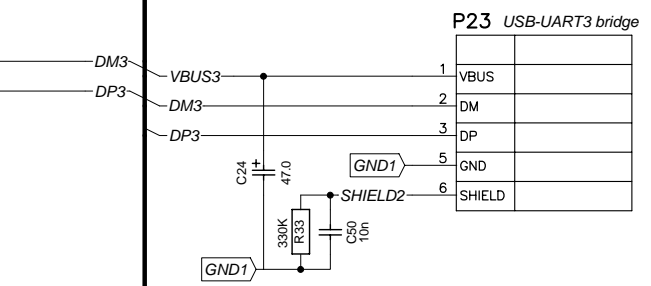
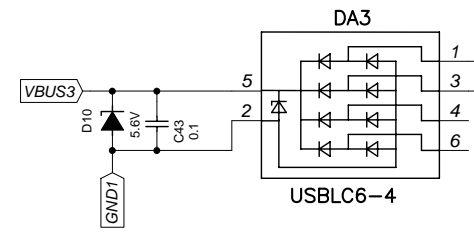
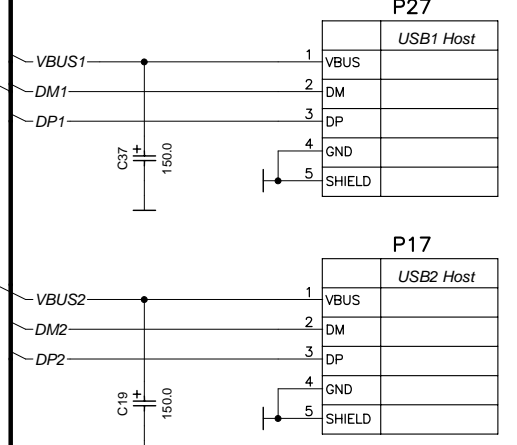
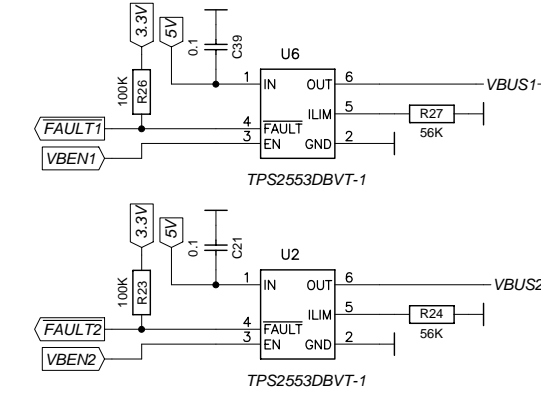
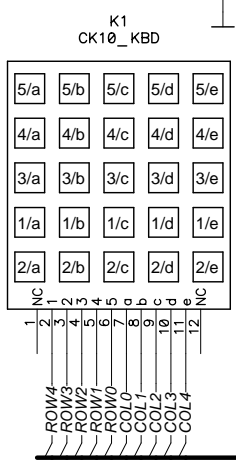
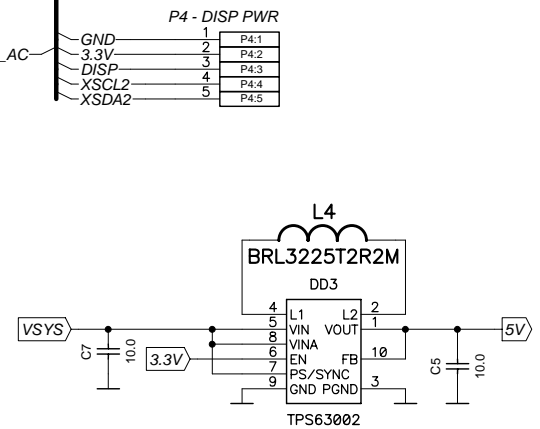
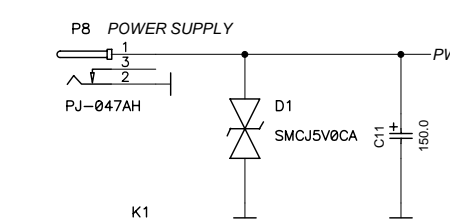
Title		SAU-Kit	
Size	A3	Number	Rev 1.0
Date		Drawn by	
Filename		Sheet	2 of 4

A

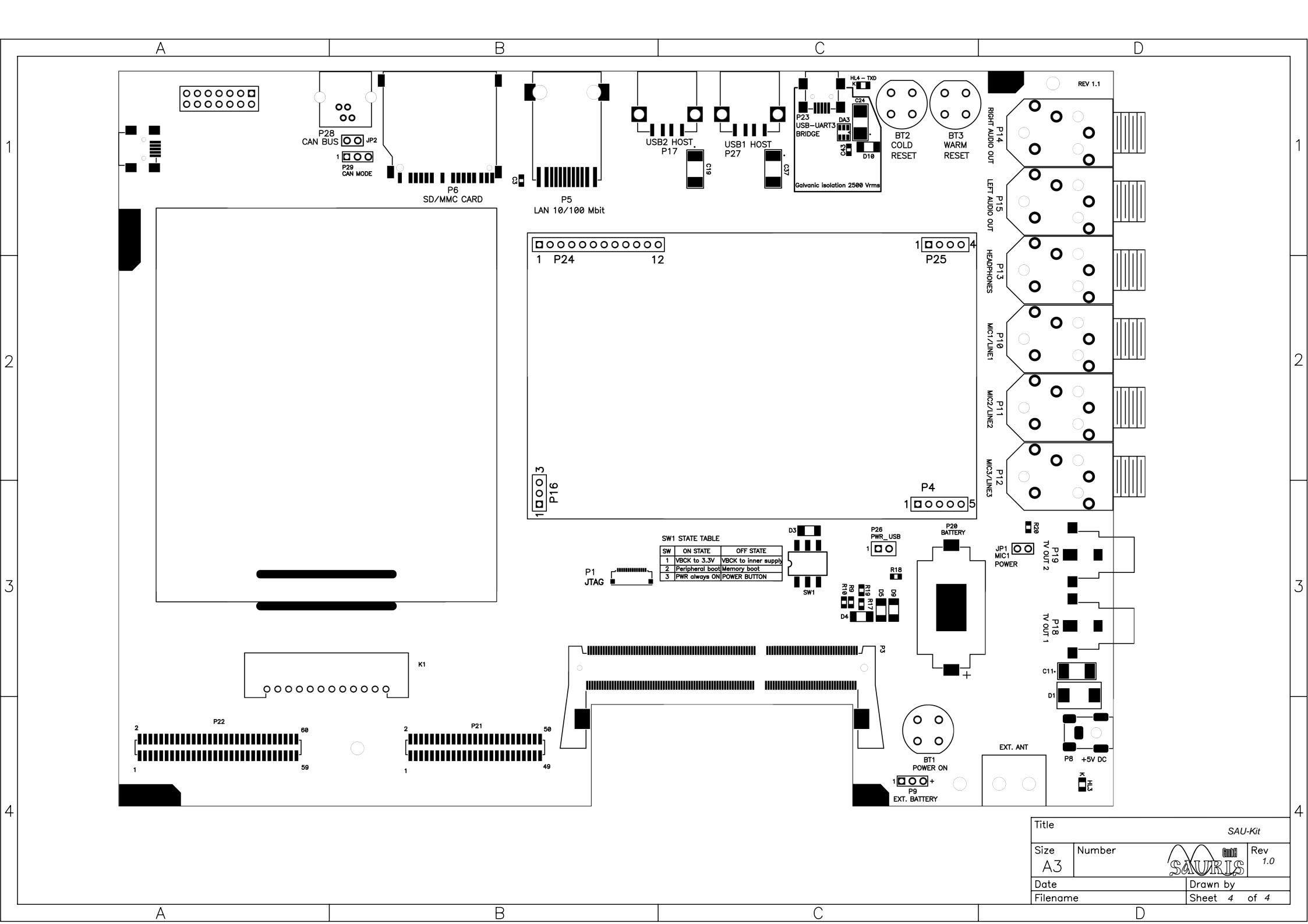
B

C

D



Title		SAU-Kit	
Size	A3	Number	Rev 1.0
Date		Drawn by	
Filename		Sheet	3 of 4



SW1 STATE TABLE

SW	ON STATE	OFF STATE
1	VBCK to 3.3V	VBCK to inner supply
2	Peripheral boot	Memory boot
3	PWR always ON	POWER BUTTON

Title		SAU-Kit	
Size	A3	Number	
Date		Rev	1.0
Filename		Drawn by	
		Sheet	4 of 4